



Angel Ventlock[®] Retrofit

Window Opening Control Device **Instructions**

Read guide from beginning to end before starting installation.
Read all warnings and cautions during unit installation.

Instructions

Parts Included:

Left Opening
Control Device
Right Opening
Control Device
6x 5/8" Wood
Screws

Tools Needed:

Safety Glasses
Phillips Head
Screwdriver
Drill / Driver
1/16" Drill Bit
Pencil
Tape Measure

Strike plate supplied separately depending on window model



Left Opening
Control Device



Right Opening
Control Device



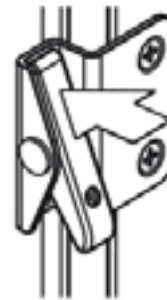
Buffer



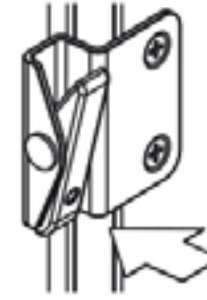
#6 x 5/8" Screws

Warning

Window opening control device must be installed correctly and engaged to protect against accidental falls. Failure to do so may result in falls / injury. Window must be unlocked and opening control device disengaged to allow for emergency exit.



To engage, unit automatically
engages when window is shut



Press dot to disengage

This package contains window opening control device parts for hung windows. The device must be installed following the enclosed instructions, and be engaged to help protect against accidental falls from windows. Follow manufacturers' instructions for hand or power tools. Always wear safety glasses. Failure to do so may result in injury and / or product damage.

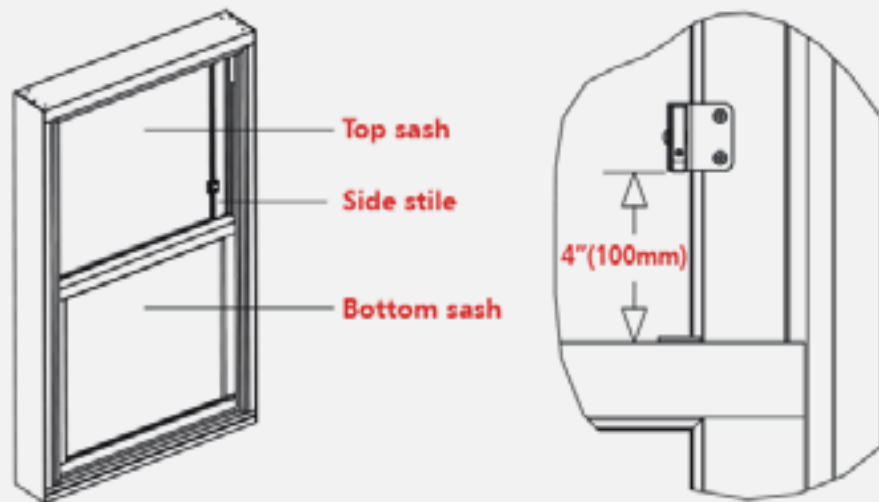
Use caution when working at elevated heights and around unit openings. Follow manufacturers' instructions for ladder and / or scaffolding. Failure to do so may result in injury or death.

This window opening control device was designed to protect against accidental falls by children 5 years old or younger. This window opening control device is not a substitute for supervision of young children. Tested to ASTM 2090-17*

Step 01

Mark Position

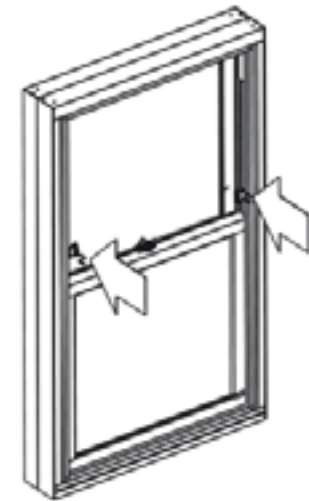
Close and lock bottom sash. Measure 4" (100mm) up from the bottom sash and mark top sash side stiles. Opening control device may be fitted onto the sash stile or rebated. Make sure the screws do not come in contact with the glass.



Step 02

Fix Restrictor

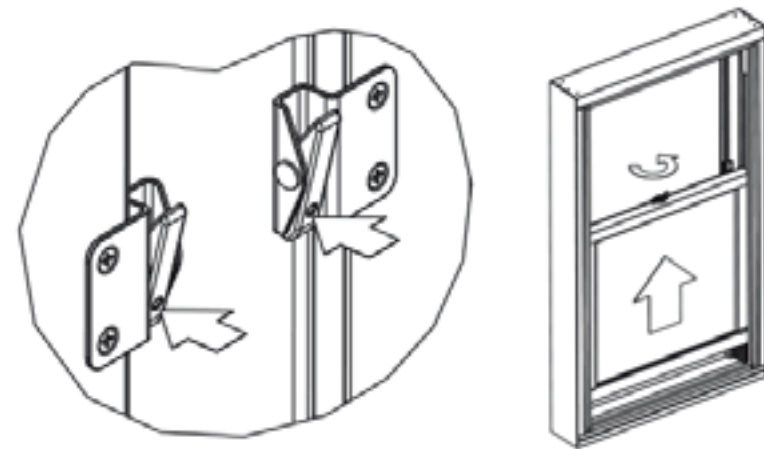
Position opening control device tight to top sash stile and align bottom on pencil mark. Drill 1/16" hole, 1/2" deep and fasten.



Step 03

Operation

Disengage opening control devices on each side. Unlock and raise sash.

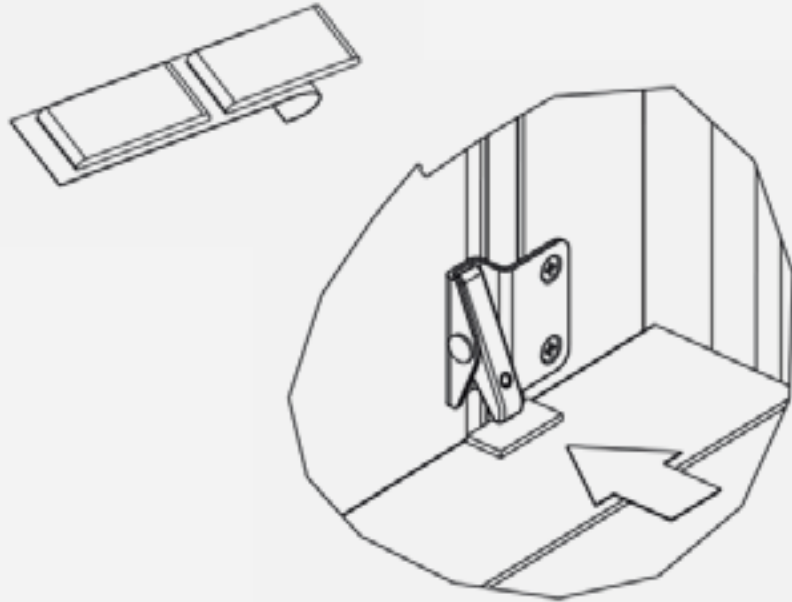


Step 04 - 1/2

Fit Buffer

Where there is little or no gap between top and bottom sash, fit buffer.

Fitting buffer. Remove buffer from backing. Position buffer directly under the opening control device, 1/16" from back edge. Lower the sash and apply firm pressure for five seconds to adhere buffer.



Warning

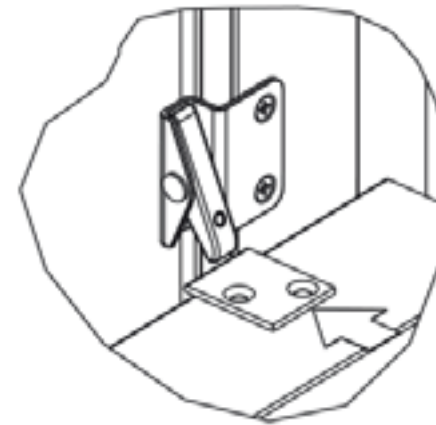
Buffer are small parts and could pose a choking hazard to young children.

Step 04 - 2/2

or Fit Strike Plate

Where there is a gap between top and bottom sash, fit strike plate. Overhang strike plate to suit.

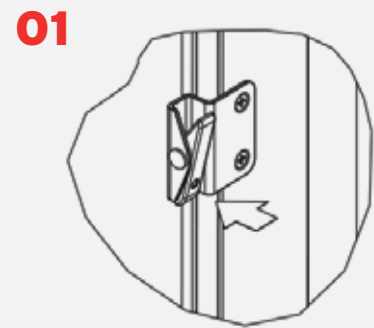
Fitting Strike plate. Position strike plate directly under the opening control device, overhang strike plate to suit. Lower the sash and drill 1/16" hole, 1/2" deep and fasten.



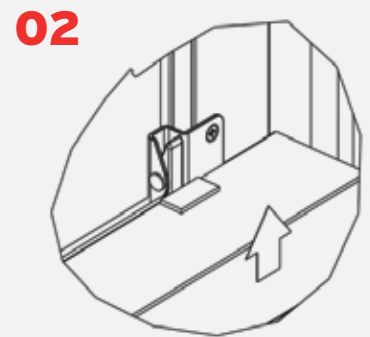
Step 05

Verify Installation

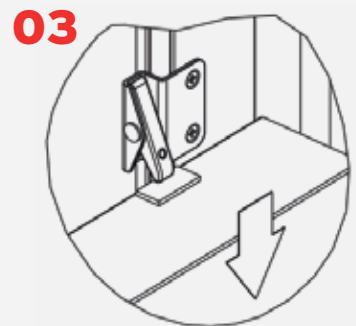
Verify correct opening control device operation. Clear opening cannot exceed 4 inches.



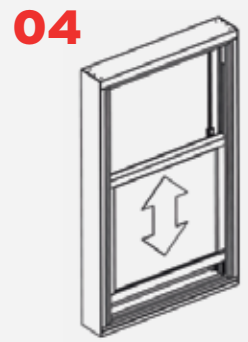
Disengage opening control devices on each side



Raise bottom sash



Lower bottom sash opening control device resets



Clear opening cannot exceed 4 inches

Important

This package contains window opening control device parts for double hung windows. The device must be installed following the enclosed instructions, and be engaged to help protect against accidental falls from windows. Failure to do so may result in fall / injury. This window opening control device is not a substitute for supervision of young children.

This window opening control device was tested to and complies with the requirements of ASTM F2090, versions 2008, 2010, 2013, and 2017.

Roto North America

14 Inspiration Lane, Chester, CT 06412

rotonorthamerica.com

tel: 860-526-4996