



Angel Face Fixed

Window Opening Control Device **Instructions**

Read guide from beginning to end before starting installation.
Read all warnings and cautions during unit installation.

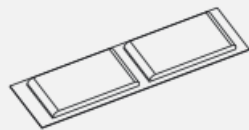
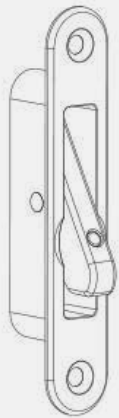
Instructions

Parts Included:

- 2x Face Fixed Window
- Opening Control Devices
- 4x Screws
- 2x Buffers

Tools Needed:

- Safety Glasses
- Phillips Head Screwdriver
- Drill / Driver
- 1/16" Drill Bit
- Pencil
- Tape Measure



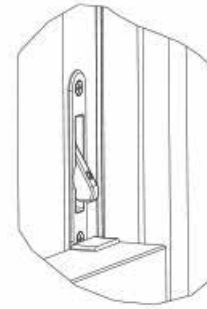
Buffer



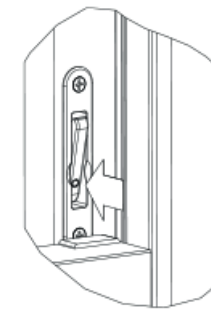
Screws or bolts to suit

Warning

Window opening control device must be installed correctly and engaged to protect against accidental falls. Failure to do so may result in falls / injury. Window must be unlocked and opening control device disengaged to allow for emergency exit.



To engage, unit automatically engages when window is shut



Press dot to disengage

This package contains window opening control device parts for hung windows. These devices must be installed following the enclosed instructions, and be engaged to help protect against accidental falls from windows. Follow manufacturers' instructions for hand or power tools. Always wear safety glasses. Failure to do so may result in injury and / or product damage.

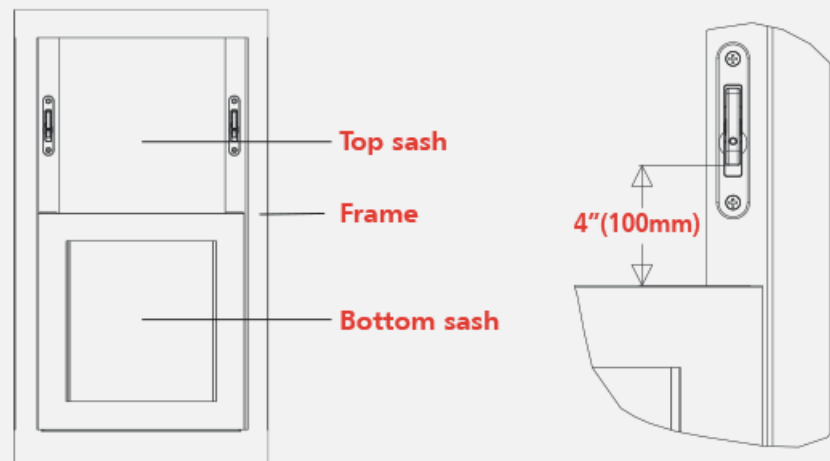
Use caution when working at elevated heights and around unit openings. Follow manufacturers' instructions for ladder and / or scaffolding. Failure to do so may result in injury or death.

This window opening control device was designed to protect against accidental falls by children 5 years old or younger. This window opening control device is not a substitute for supervision of young children. Tested to ASTM 2090-17*

Step 01

Mark Position

Close and lock bottom sash. Measure 4" (100mm) up from top of bottom sash and mark window frame. Opening control device may be fitted onto the sash stile or rebated.

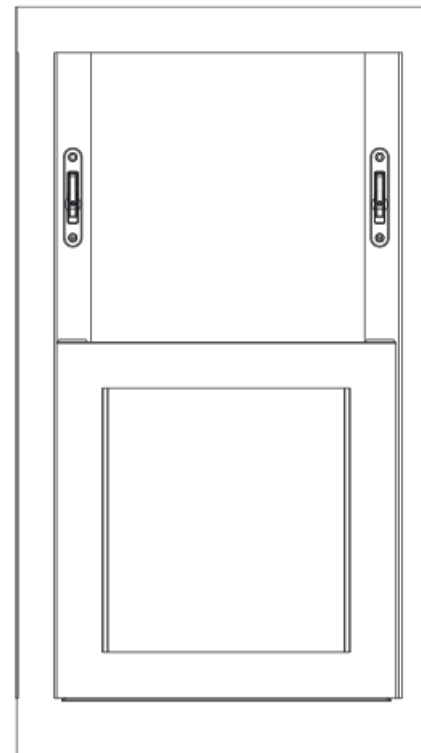


Position opening control device on sash as shown and align the bottom of the restrictor arm on the pencil mark.

Step 02

Fix Window Opening Control Device

Fixing limiter to sash frame.



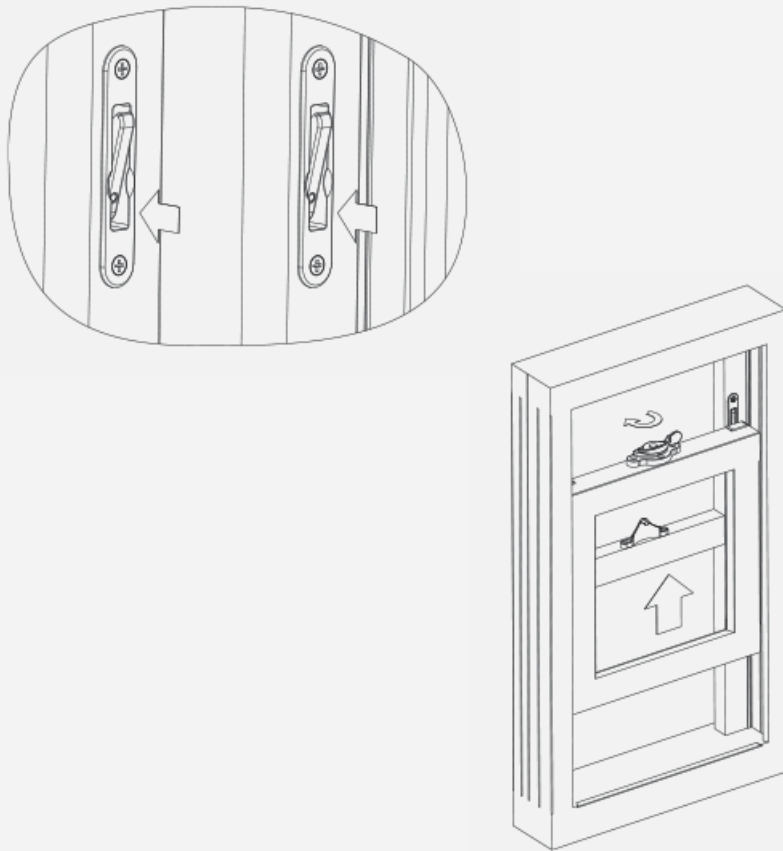
Timber Frames

Mark hole centres
Install limiter using
screws provided

Step 03

Operation

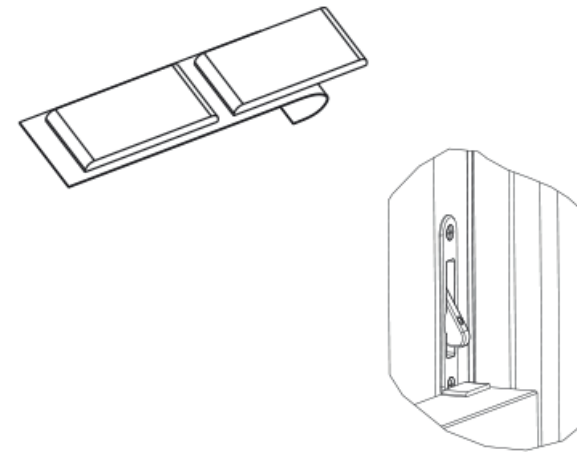
Disengage opening control devices on each side. Unlock and raise sash.



Step 04

Fit Buffer

Remove buffer from backing. Position buffer directly under the opening control device, 1/16" from back edge. Lower the sash and apply firm pressure for five seconds to adhere buffer.



Strike plates (sold separately) may be necessary to bridge the gap between top and bottom meeting rails.

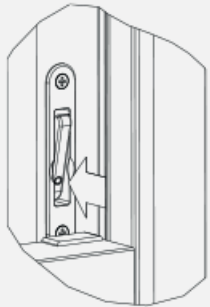
Warning

Buffer are small parts and could pose a choking hazard to young children.

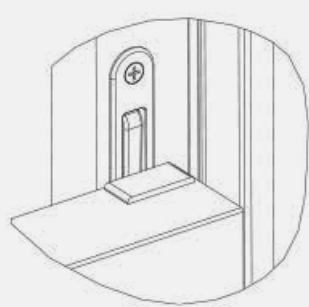
Step 05

Verify Installation

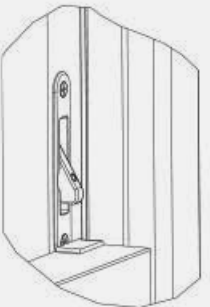
Verify correct opening control device operation. Clear opening cannot exceed 4 inches.



1. Disengage opening control devices on each side



2. Raise bottom sash



3. Lower bottom sash, opening control device resets



Clear opening cannot exceed 4 inches

Important

This package contains window opening control device parts for double hung windows. These devices must be installed following the enclosed instructions, and be engaged to help protect against accidental falls from windows. Failure to do so may result in fall / injury. This window opening control device is not a substitute for supervision of young children.

This window opening control device was tested to and complies with the requirements of ASTM F2090, versions 2008, 2010, 2013, and 2017.

Roto North America

14 Inspiration Lane, Chester, CT 06412

rotonorthamerica.com

tel: 860-526-4996