



Angel Ventlock[®] Dual Action Retrofit

Window Opening Control Device **Instructions**

Read guide from beginning to end before starting installation.
Read all warnings and cautions during unit installation.

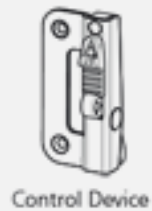
Instructions

Parts Included:

Opening Control Device
Back Plate
2x Screws
Buffer

Tools Needed:

Safety Glasses
Phillips Head Screwdriver
Drill / Driver
1/16" Drill Bit
3/16" Drill Bit
Pencil
Tape Measure



Control Device



Back Plate



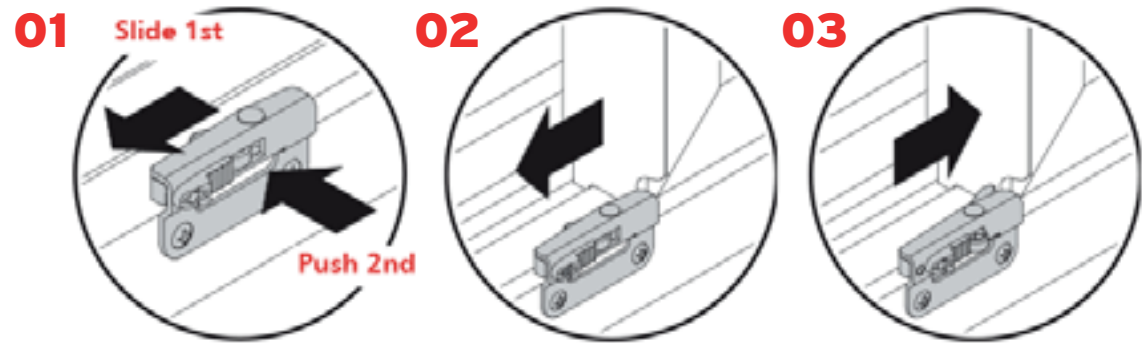
Buffer



Screws

Warning

Window opening control device must be installed correctly and engaged to protect against accidental falls. Failure to do so may result in falls / injury. Window must be unlocked and opening control device disengaged to allow for emergency exit.



To fully open sash, disengage window opening control device

Open sash

Close sash. Window opening control device automatically resets

This package contains window opening control device parts for gliding windows. The device must be installed following the enclosed instructions, and be engaged to help protect against accidental falls from windows. Follow manufacturers' instructions for hand or power tools. Always wear safety glasses. Failure to do so may result in injury and / or product damage.

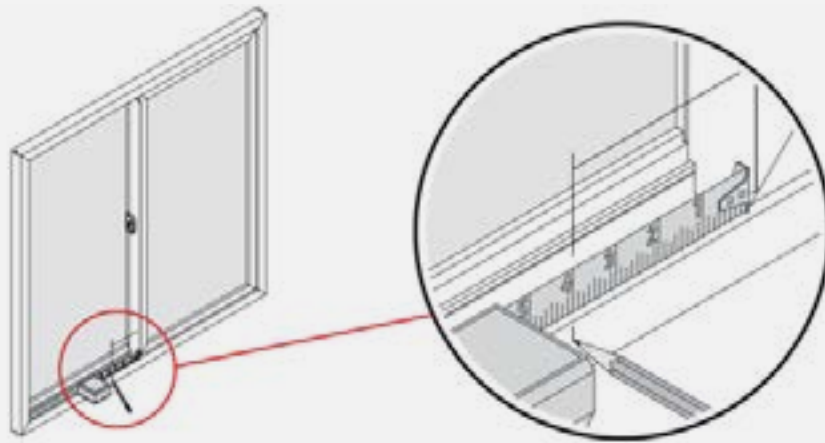
Use caution when working at elevated heights and around unit openings. Follow manufacturers' instructions for ladder and / or scaffolding. Failure to do so may result in injury or death.

This window opening control device was designed to protect against accidental falls by children 5 years old or younger. This window opening control device is not a substitute for supervision of young children. Tested to ASTFM 2090-17*

Step 01

Mark Position

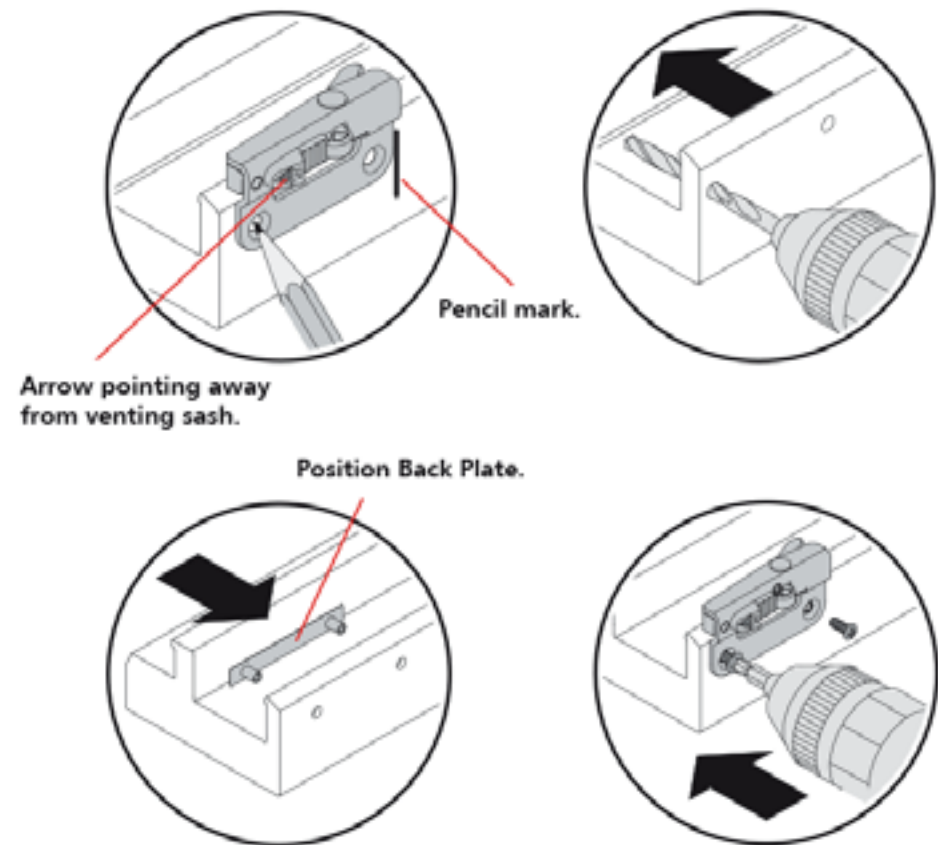
Close and lock bottom sash. Measure 4" (100mm) from the edge of sash and mark window frame as shown.



Step 02

Fix Restrictor

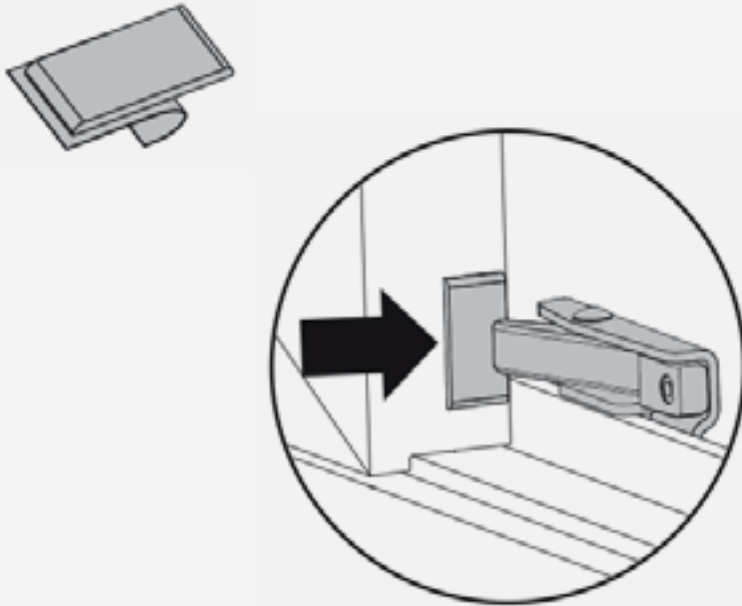
Position window opening control device tight to window frame on the pencil mark. Mark hole locations and pre-drill 1/16" holes. Enlarge holes with a 3/16" drill bit. Position back plate to frame and fit opening control device with 2 screws.



Step 03

Fit Buffer

Fitting buffer. Remove buffer from backing. Position buffer directly next to the opening control device, 1/16" from edge. Apply firm pressure for five seconds to adhere buffer.



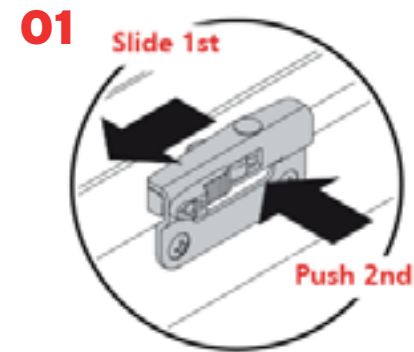
Warning

Buffer are small parts and could pose a choking hazard to young children.

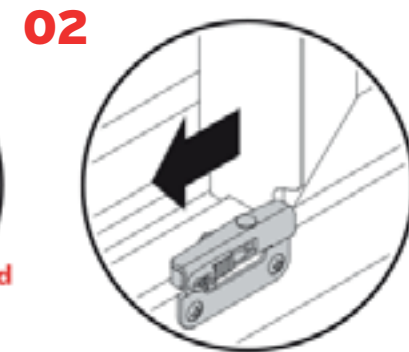
Step 04

Operation

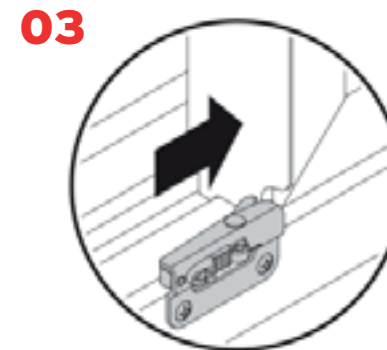
Verify correct opening control device operation.



To fully open sash, disengage window opening control device



Open sash

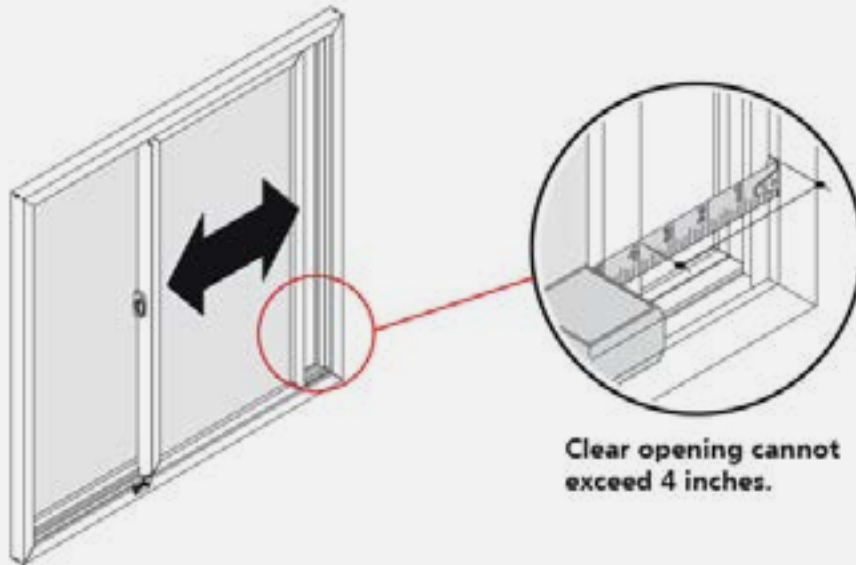


Close sash. Window opening control device automatically resets.

Step 05

Verify Installation

With the opening control device engaged the clear opening cannot exceed 4 inches.



Important

This package contains window opening control device parts for gliding windows. The device must be installed following the enclosed instructions, and be engaged to help protect against accidental falls from windows. Failure to do so may result in fall / injury. This window opening control device is not a substitute for supervision of young children.

This window opening control device was tested to and complies with the requirements of ASTM F2090, versions 2008, 2010, 2013, and 2017.

Roto North America

14 Inspiration Lane, Chester, CT 06412

rotonorthamerica.com

tel: 860-526-4996