



# Dual Action Retrofit

Window Opening Control Device **Instructions**

Read guide from beginning to end before starting installation.  
Read all warnings and cautions during unit installation.

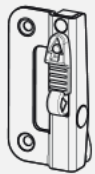
# Instructions

## Parts Included:

Opening Control Device  
Back Plate  
2x Screws  
Buffer

## Tools Needed:

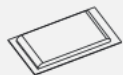
Safety Glasses  
Phillips Head Screwdriver  
Drill / Driver  
1/16" Drill Bit  
3/16" Drill Bit  
Pencil  
Tape Measure



Control Device



Back Plate



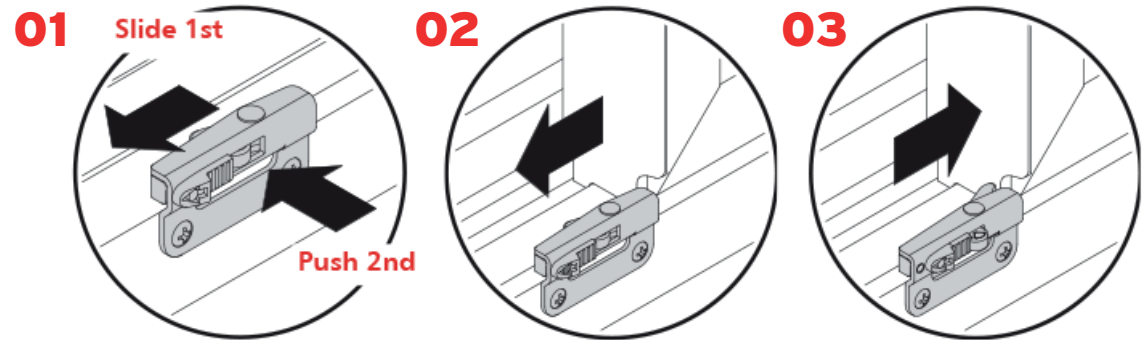
Buffer



Screws

# Warning

Window opening control device must be installed correctly and engaged to protect against accidental falls. Failure to do so may result in falls / injury. Window must be unlocked and opening control device disengaged to allow for emergency exit.



To fully open sash, disengage window opening control device

Open sash

Close sash. Window opening control device automatically resets

This package contains window opening control device parts for gliding windows. The device must be installed following the enclosed instructions, and be engaged to help protect against accidental falls from windows. Follow manufacturers' instructions for hand or power tools. Always wear safety glasses. Failure to do so may result in injury and / or product damage.

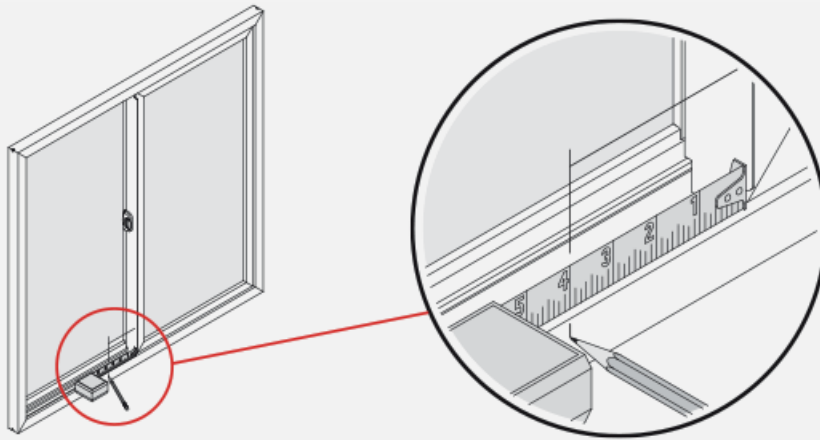
Use caution when working at elevated heights and around unit openings. Follow manufacturers' instructions for ladder and / or scaffolding. Failure to do so may result in injury or death.

This window opening control device was designed to protect against accidental falls by children 5 years old or younger. This window opening control device is not a substitute for supervision of young children. Tested to ASTFM 2090-17\*

# Step 01

## Mark Position

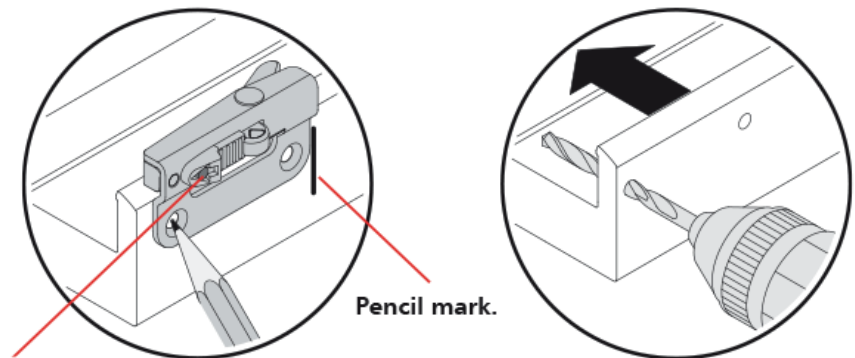
Close and lock bottom sash. Measure 4" (100mm) from the edge of sash and mark window frame as shown.



# Step 02

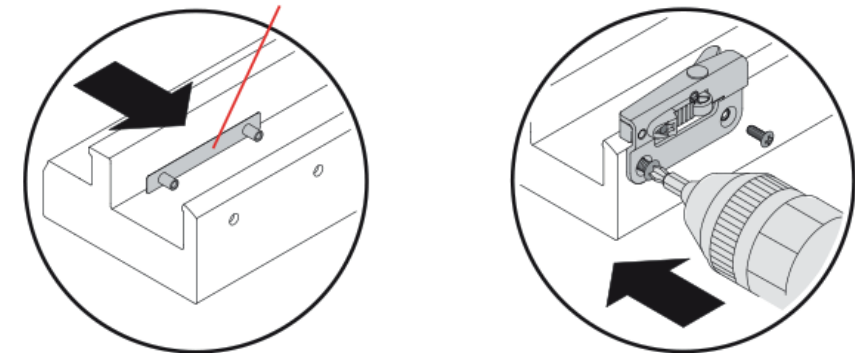
## Fix Restrictor

Position window opening control device tight to window frame on the pencil mark. Mark hole locations and pre-drill 1/16" holes. Enlarge holes with a 3/16" drill bit. Position back plate to frame and fit opening control device with 2 screws.



Arrow pointing away from venting sash.

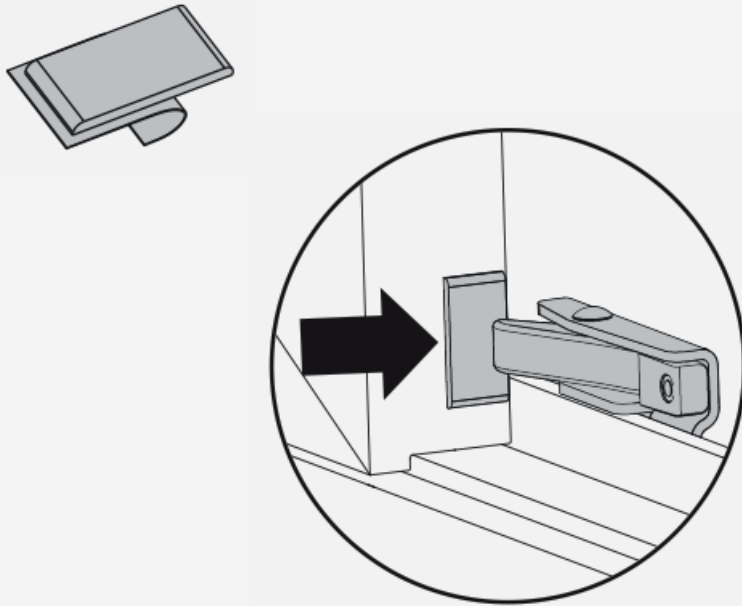
Position Back Plate.



## Step 03

### Fit Buffer

Fitting buffer. Remove buffer from backing. Position buffer directly next to the opening control device, 1/16" from edge. Apply firm pressure for five seconds to adhere buffer.



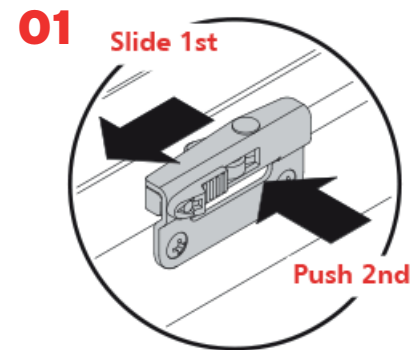
### Warning

Buffer are small parts and could pose a choking hazard to young children.

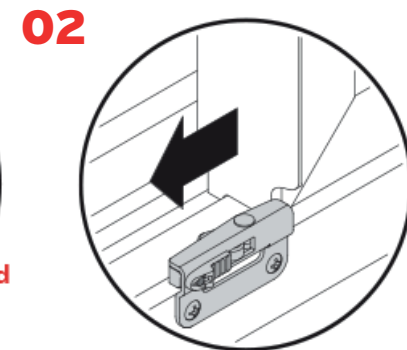
## Step 04

### Operation

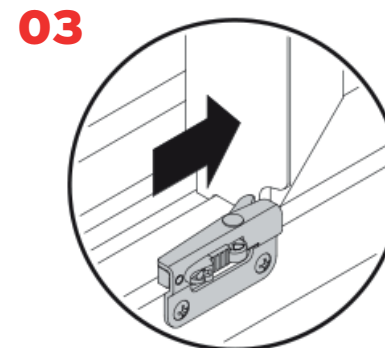
Verify correct opening control device operation.



To fully open sash, disengage window opening control device



Open sash

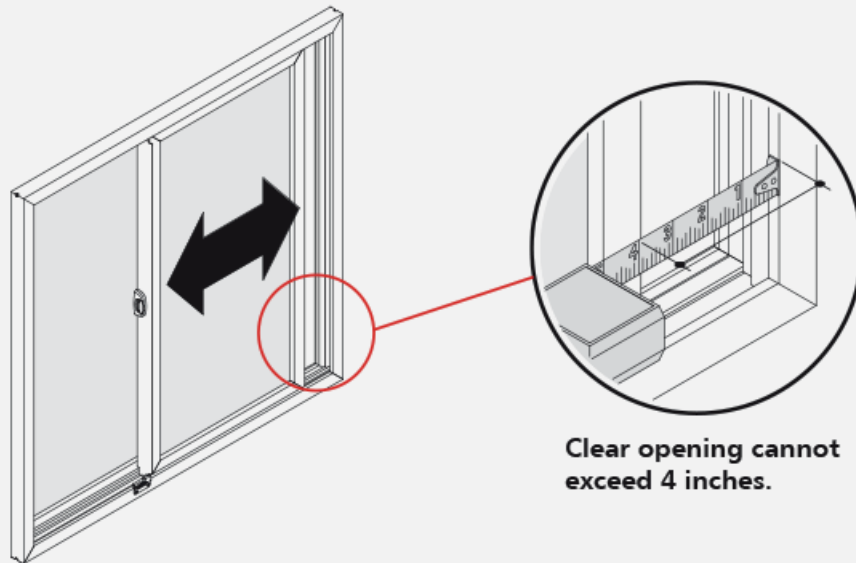


Close sash. Window opening control device automatically resets.

## Step 05

### Verify Installation

With the opening control device engaged the clear opening cannot exceed 4 inches.



## Important

This package contains window opening control device parts for gliding windows. The device must be installed following the enclosed instructions, and be engaged to help protect against accidental falls from windows. Failure to do so may result in fall / injury. This window opening control device is not a substitute for supervision of young children.

This window opening control device was tested to and complies with the requirements of ASTM F2090, versions 2008, 2010, 2013, and 2017.

### Roto North America

14 Inspiration Lane, Chester, CT 06412

[rotonorthamerica.com](http://rotonorthamerica.com)

tel: 860-526-4996