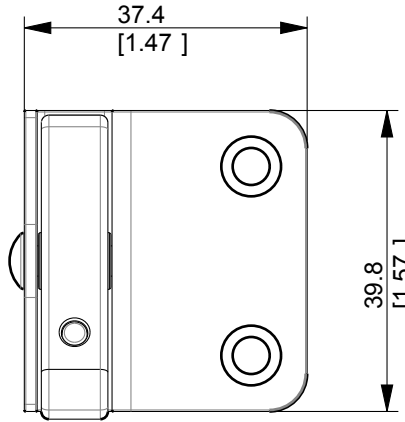
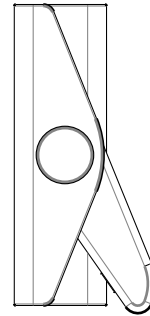
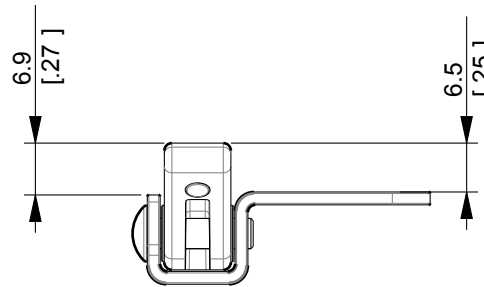


3.0 -4.0
[.12 -.15]
WINDOW GAP



STANDARD BEND



NOTES.
1. ITEM SUPPLIED IN MATCHED PAIRS, RIGHT HAND SIDE SHOWN ABOVE.

ISSUE	REVISIONS	DATE

MIGHTON PRODUCTS LTD

Mighton Products are protected under the provisions of the Copyright Designs and Patents Act 1988. Unauthorised copying of our products constitutes an offence under the Act.

TITLE	RETRO FIT ANGEL	CLIENT		DRAWN	RPH	DATE	24-FEB-10
MATERIAL		JOB NO.		CHECKED		DATE	
COLOUR/FINISH		VIEW	3rd Angle	APPROVED		DATE	
		SCALE DRAWN		SHEET	1	DRG.NO.	STANDARD BEND
		ISSUE	A	OF	1		