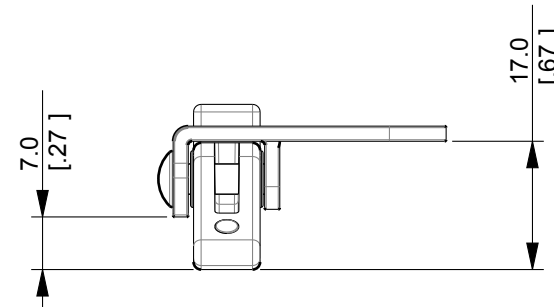


FB1112

11.0 -12.0
[.44 -.47]



NOTES.
1. ITEM SUPPLIED IN MATCHED PAIRS, RIGHT HAND SIDE SHOWN ABOVE.

ISSUE	REVISIONS	DATE

MIGHTON PRODUCTS LTD

Mighton Products are protected under the provisions of the Copyright Designs and Patents Act 1988. Unauthorised copying of our products constitutes an offence under the Act.

TITLE	CLIENT	DRAWN	RPH	DATE	23-FEB-10
REVERSE RETRO FIT ANGEL					
MATERIAL	JOB NO.	CHECKED		DATE	
COLOUR/FINISH	VIEW	3rd Angle	APPROVED	DATE	
	SCALE DRAWN	SHEET	1	DRG.NO.	FB1112
	ISSUE	A	OF	1	