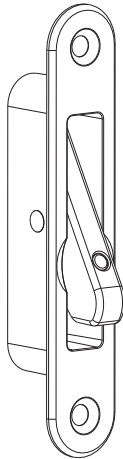
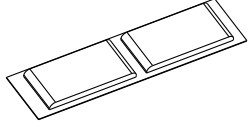



Angel Face Fixed

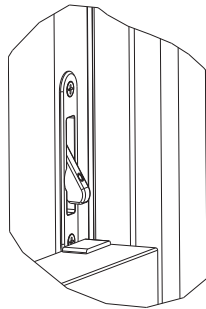
window opening control device instructions

**Read guide from beginning to end before starting installation.
Read all warnings and cautions during unit installation.**

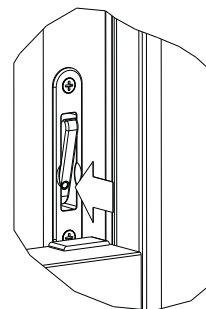
<p>Parts Included 2X Face Fixed Window Opening Control Devices</p> <p>Tools needed Safety glasses Phillips head screw driver Drill / Driver 1/16" Drill bit Pencil Tape measure</p>		 <p>Buffer</p> <hr/>  <p>Screws or bolts to suit</p>
---	---	--

Warning

Window opening control device must be installed correctly and engaged to protect against accidental falls. Failure to do so may result in falls / injury. Window must be unlocked and opening control device disengaged to allow for emergency exit.



To engage
Unit automatically engages when window is shut



Press dot to disengage

Warning

This package contains window opening control device parts for Double Hung windows. These devices must be installed following the enclosed instructions, and be engaged to help protect against accidental falls from windows.

Follow manufacturers' instructions for hand or power tools. Always wear safety glasses. Failure to do so may result in injury and / or product damage.

Use caution when working at elevated heights and around unit openings. Follow manufacturers' instructions for ladder and / or scaffolding. Failure to do so may result in injury or death.

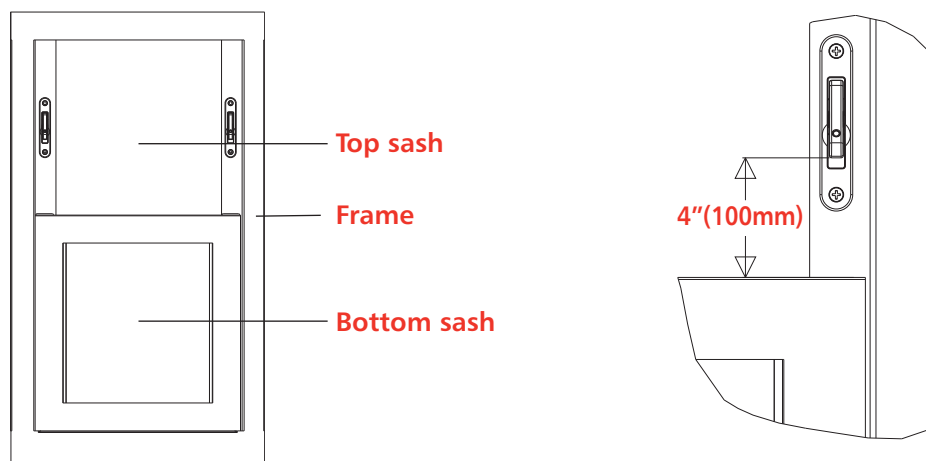
This window opening control device was designed to protect against accidental falls by children 5 years old and younger. This window opening control device is not a substitute for supervision of young children. Tested to ASTM F2090 2008/2010



1

MARK POSITION

Close and lock bottom sash. Measure 4" (100mm) up from top of bottom sash and mark window frame. Opening control device may be fitted onto the sash stile or rebated.

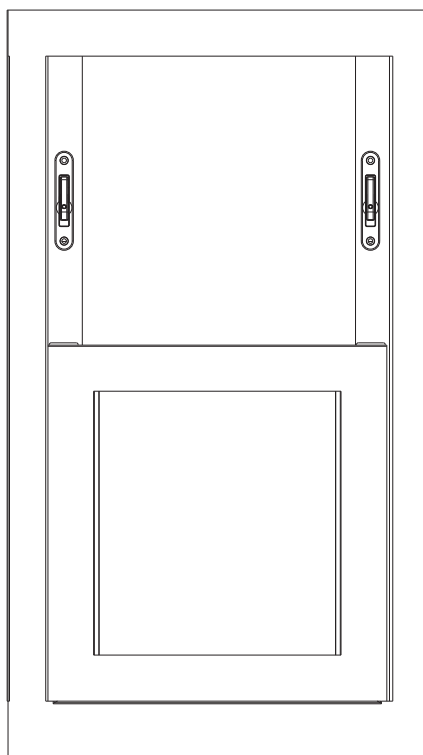


Position opening control device on sash as shown and align the bottom of the restrictor arm on the pencil mark.

2

FIX RESTRICTOR

Fixing limiter to sash frame.

**Timber Frames**

Mark hole centers

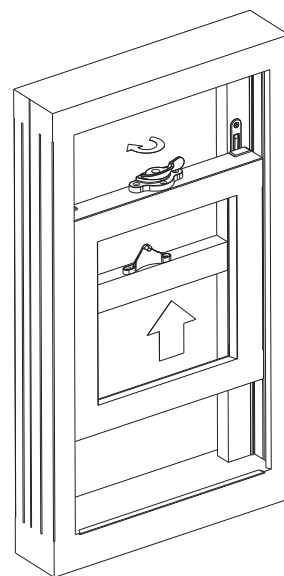
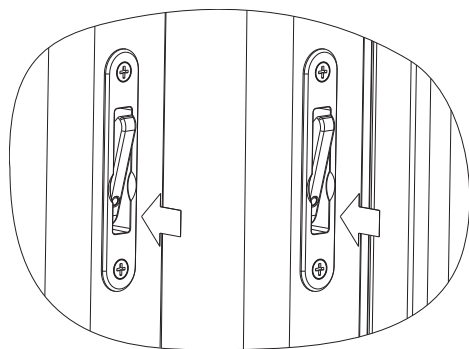
Install Limiter using screws provided



3

OPERATION

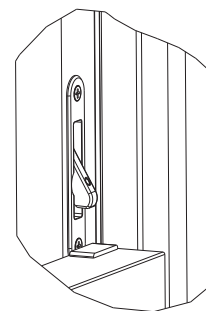
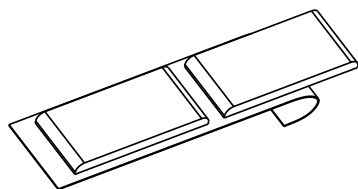
Disengage opening control devices on each side. Unlock and raise sash.



4

FIT BUFFER

Fitting buffer. Remove buffer from backing. Position buffer directly under the opening control device, 1/16" from back edge. Lower the sash and apply firm pressure for five seconds to adhere buffer.



Strike plates (supplied separately) may be necessary to bridge the gap between Top and Bottom Meeting Rails.

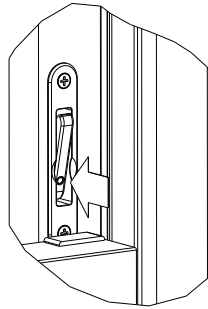
Warning

Buffers are small parts and could pose a choking hazard to young children.

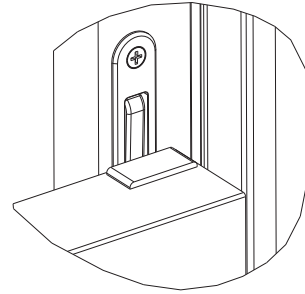


VERIFY INSTALLATION

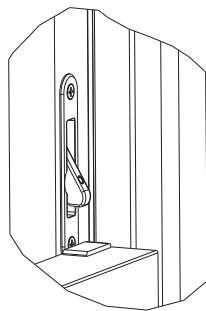
Verify correct opening control device operation. Clear opening cannot exceed 4 inches.



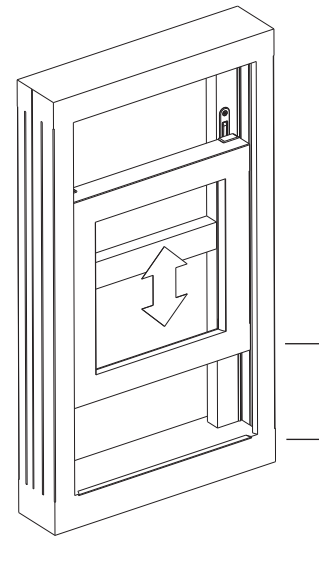
1 Disengage opening control devices on each side



2 Raise bottom sash



3 Lower bottom sash
Opening control device resets



Clear opening cannot exceed 4 inches

Window opening control device application procedure is completed.

Important

This package contains window opening control device parts for Double Hung windows. These devices must be installed following the enclosed instructions, and be engaged to help protect against accidental falls from windows. Failure to do so may result in fall/injury. This window opening control device is not a substitute for supervision of young children.

MIGHTON - USA 1181 Tradeport Drive Orlando Florida USA FL 32824
Tel 001 407 850 4131 Fax 001 407 435 8415 sales@mightonproducts.com
www.angel-ventlock.com www.mightonproducts.com

ANGEL VENTLOCK Window safety for our children Tested to ASTM F2090 2008/2010

