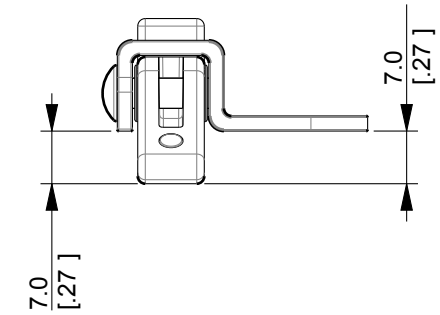


DB12



NOTES.
1. ITEM SUPPLIED IN MATCHED PAIRS, RIGHT HAND SIDE SHOWN ABOVE.

ISSUE	REVISIONS	DATE

MIGHTON PRODUCTS LTD Mighton Products are protected under the provisions of the Copyright Designs and Patents Act 1988. Unauthorised copying of our products constitutes an offence under the Act.	TITLE	REVERSE RETRO FIT ANGEL	CLIENT		DRAWN	RPH	DATE	23-FEB-10
	MATERIAL		JOB NO.		CHECKED		DATE	
	COLOUR/FINISH		VIEW	3rd Angle	APPROVED		DATE	
			SCALE DRAWN		SHEET	1	DRG.NO.	DB12
			ISSUE	A	OF	1		